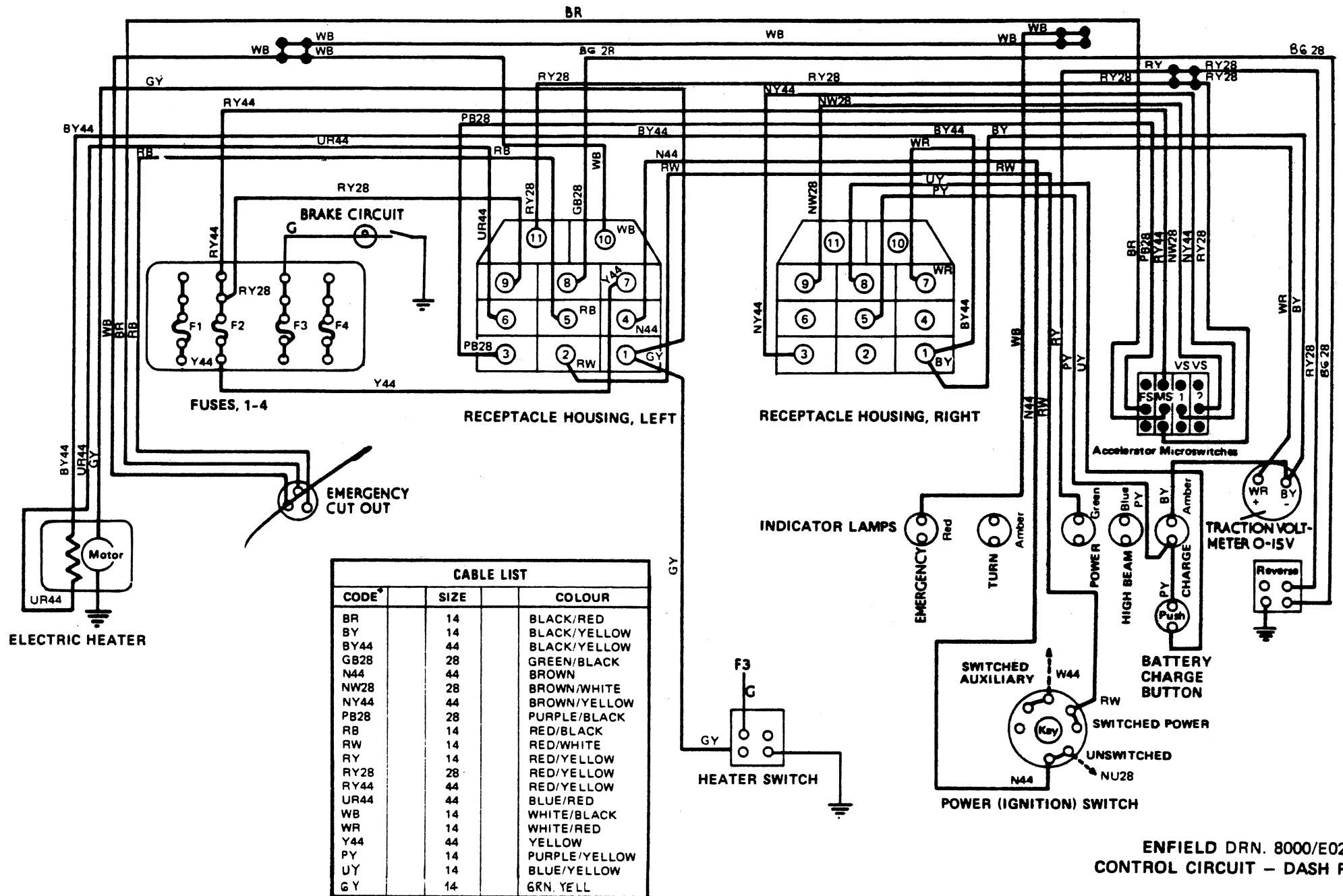


ENFIELD
 DON. BOND/BOB
 CONTROL CABLE HARNESS
 10/1/79 REVISED 23/2/79



CABLE LIST		
CODE*	SIZE	COLOUR
BR	14	BLACK/RED
BY	14	BLACK/YELLOW
BY44	44	BLACK/YELLOW
GB28	28	GREEN/BLACK
N44	44	BROWN
NW28	28	BROWN/WHITE
NY44	44	BROWN/YELLOW
PB28	28	PURPLE/BLACK
RB	14	RED/BLACK
RW	14	RED/WHITE
RY	14	RED/YELLOW
RY28	28	RED/YELLOW
RY44	44	RED/YELLOW
UR44	44	BLUE/RED
WB	14	WHITE/BLACK
WR	14	WHITE/RED
Y44	44	YELLOW
PY	14	PURPLE/YELLOW
UY	14	BLUE/YELLOW
GY	14	GRN. YELL

* British Standards Institution.

ENFIELD DRN. 8000/E02
CONTROL CIRCUIT - DASH PANEL

WINDSCREEN

DEMIST DEMIST

COURTESY LIGHT

WIPER MOTOR PLUG

NOTATION 'X' PLUG

1	MAIN BEAM
2	PARK LAMPS, LEFT SIDE
3	DIP BEAM
4	RIGHT TURN INDICATOR
5	PARK LAMPS, RIGHT SIDE
6	LEFT TURN INDICATOR
7	HORN RETURN
8	BRAKE LAMPS
9	HORN, 12 V
10	WASHER RETURN
11	WASHER, 12 V

FUSES

F1	SPARE
F2	TRACTION (SEE ENG. 1021)
F3	DEMIST & HEATER -G
F4	TACHOGRAPH -P AUX. VOLT METER -LG
F5	PARK LAMPS -NU COURTESY LIGHT -P PILOT LAMPS HAZARD (UNFUSED) -R
F6	INDICATORS -G BRAKE LAMPS -G
F7	HEADLAMP FLASHER -UG -P
F8	WIPERS -G WASHER -G HORN -PB

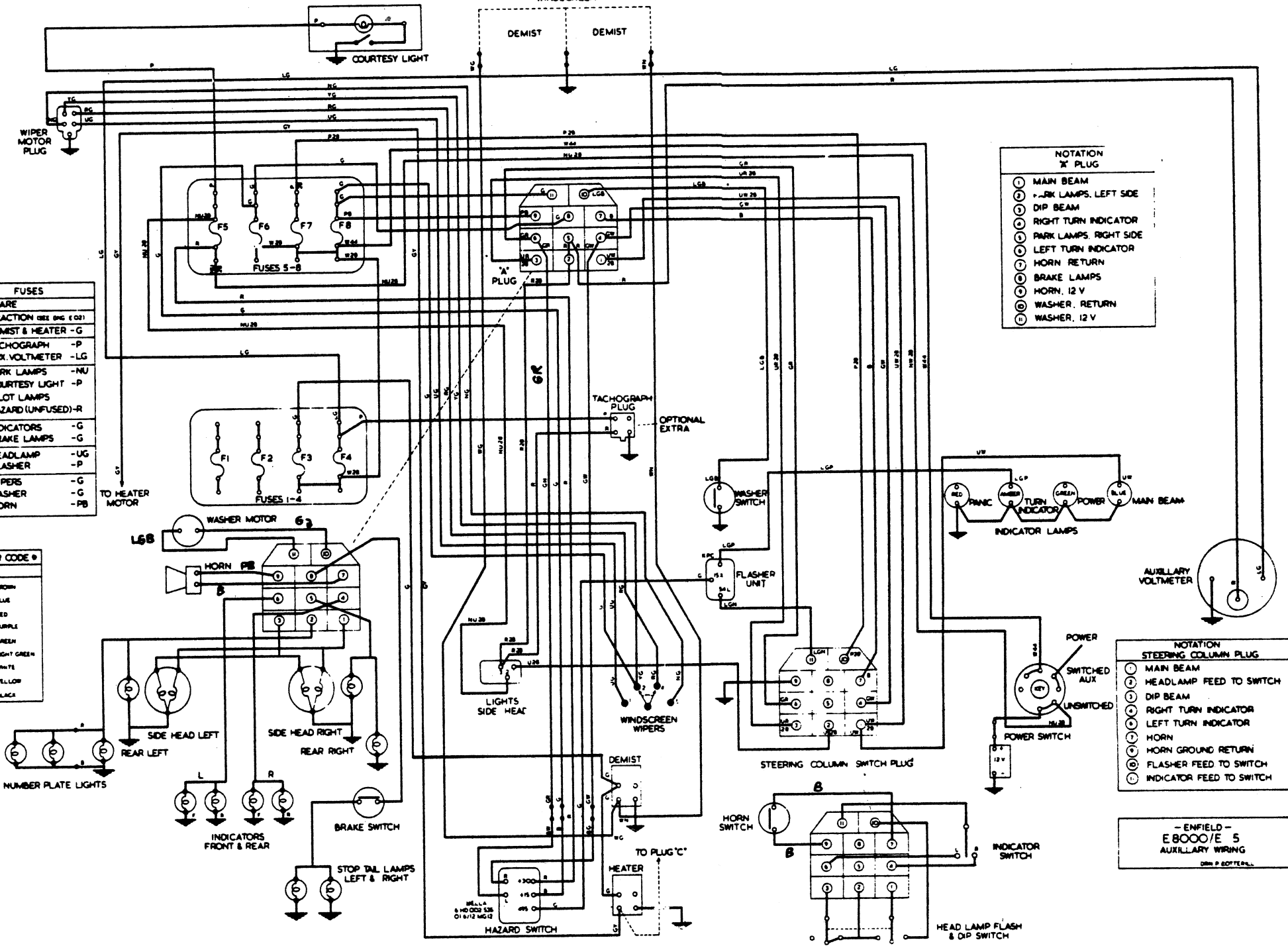
COLOR CODE

CODE	COLOR
N	BROWN
U	BLUE
B	RED
P	PURPLE
G	GREEN
LG	LIGHT GREEN
W	WHITE
Y	YELLOW
B	BLACK

NOTATION STEERING COLUMN PLUG

1	MAIN BEAM
2	HEADLAMP FEED TO SWITCH
3	DIP BEAM
4	RIGHT TURN INDICATOR
5	LEFT TURN INDICATOR
6	HORN
7	HORN GROUND RETURN
8	FLASHER FEED TO SWITCH
9	INDICATOR FEED TO SWITCH

- ENFIELD -
E 8000/E 5
AUXILIARY WIRING
DIN 9 807/1961



TO HEATER MOTOR

TACHOGRAPH PLUG

OPTIONAL EXTRA

WASHER SWITCH

FLASHER UNIT

INDICATOR LAMPS

AUXILIARY VOLT METER

WASHER MOTOR

HORN

LIGHTS SIDE HEAT

WINDSCREEN WIPERS

STEERING COLUMN SWITCH PLUG

POWER

SWITCHED AUX

UNSWITCHED

POWER SWITCH

12 V

-

INDICATOR SWITCH

HORN SWITCH

HEAD LAMP FLASH & DIP SWITCH

NUMBER PLATE LIGHTS

SIDE HEAD LEFT

SIDE HEAD RIGHT

REAR LEFT

REAR RIGHT

INDICATORS FRONT & REAR

BRAKE SWITCH

STOP TAIL LAMPS LEFT & RIGHT

HAZARD SWITCH

HEATER

TO PLUG 'C'